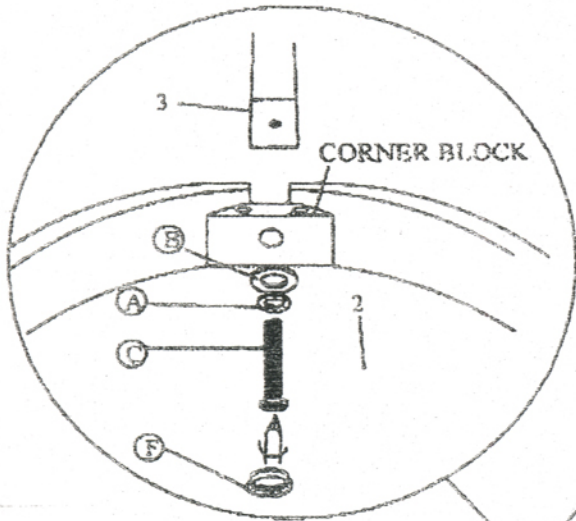
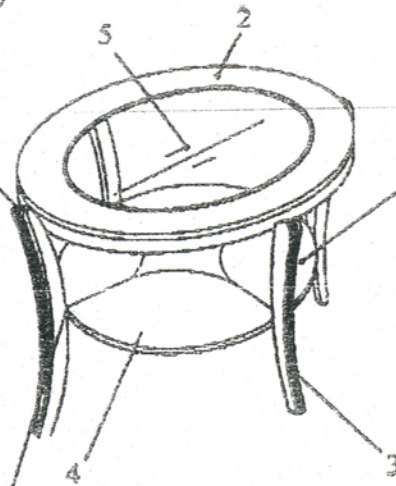
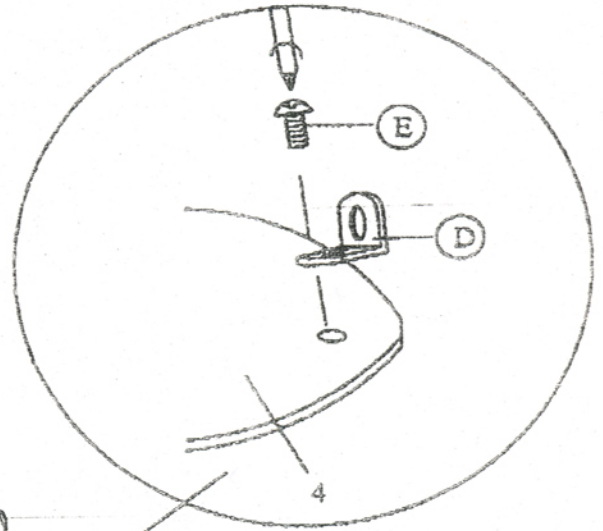


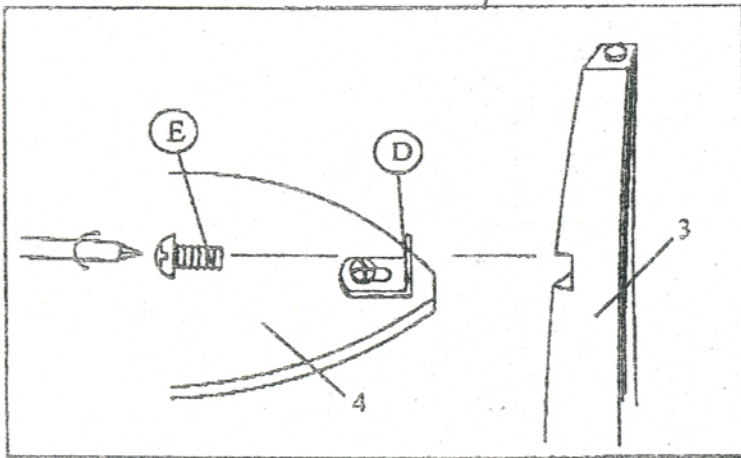
STEP 1 :



STEP 2 :



STEP 3 :



PARTS	MRP#	DESCRIPTION	QTY
A	1	SPRING WASHER	4
B		FLAT WASHER	4
C		HEX BOLT (Ø5/16 X 1 1/2")	4
D		'L' BRACKET	4
E		MACHINE SCREW	8
F		PLASTIC CAP	4
2	2	TABLE TOP	1
3	3	LEG	2
4	4	SHELF	1
5	5	GLASS	1

REMOVE ALL PARTS FROM CARTON AND SEPARATE THEM INTO PART NUMBER GROUPS AS INDICATED ON THE PARTS LIST. WHEN ORDERING ADDITIONAL PARTS, INDICATE MANUFACTURER REPLACEMENT PART NUMBER (MRP#) AS WELL AS PART NAME.

PLACE TABLE TOP (2) FACE DOWN ON SMOOTH, CLEAN & DRY SURFACE.

STEPS.

1. ASSEMBLE LEGS (3) INTO CORNER BLOCKS ON TABLE TOP (2) WITH FLAT WASHERS (B), SPRING WASHERS(A) AND HEX BOLTS(C). DO NOT FULLY TIGHTEN YET.
2. ASSEMBLE 'L' BRACKETS (D) TO THE BOTTOM SHELF(4) USING MACHINE SCREWS (E).
3. ALIGN THE SHELF(4) WITH THE LEGS (3). CONNECT 'L' BRACKETS (D) ON BOTTOM SHELF TO LEGS USING MACHINE SCREWS (E).
4. FULLY TIGHTEN ALL SCREWS & BOLTS NOW. INSERT PLASTIC CAPS (F) INTO THE CORNER BLOCKS TO COVER BOLT HOLES.
5. TURN THE TABLE UPRIGHT CAREFULLY, PLACE GLASS (G) ON TOP.

ASSEMBLY IS NOW COMPLETE.

THANK YOU FOR YOUR PURCHASE!